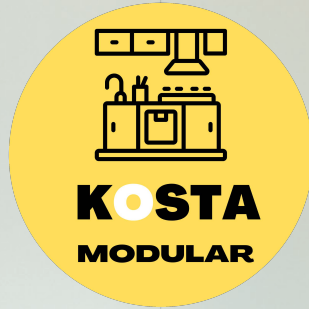
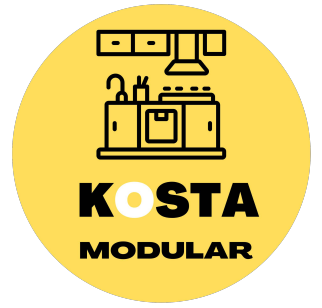


Wall Bed Collection

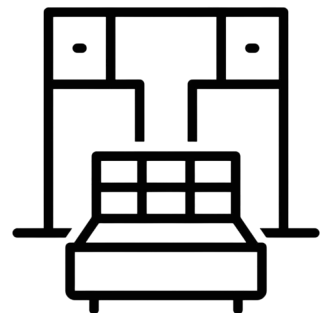


How to Downsize to Small Space Living

Develop a vision of your new, functional and stylish surroundings by highlighting some clever and chic small space living tips and tricks.



**Small Space Living:
Downsize and Declutter**





CONTEMPORARY WALL BEDS

Transforming your space in seconds, our contemporary pull-down wall beds mean you're always ready to entertain. They're the pinnacle of luxury fitted furniture, offering unparalleled convenience with a little extra theatre when guests come to stay. Our wall bed designs are made to maximise your space and discreetly fold away when not needed so you never have to sacrifice a room to a single use.

LIVE LIMITLESSLY

Break free from the confines of architectural boundaries. Transform and multiply your space with smart furniture from Kosta Modular

EXPERTISE

Let us help you uncover the infinitely flexible and delightfully unexpected possibilities of your space. Step into a home that perfectly reflects your lifestyle and needs.

DEDICATION

Start your transformation with your own dedicated team at Kosta Modular. From exploring design solutions, to choosing finishes, to white-glove delivery, we ensure your success at every step.

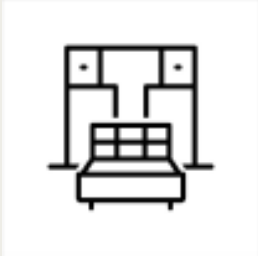
VALUES

We honor our clients, employees, friends, families, and the planet by giving back as much and as often as possible. Our support for non-profits, educational initiatives, and charitable institutions are at the core of our business.

COMMITMENT

We honor a warranty on our wall bed systems and options for reinstallation in a new home. This represents our lasting commitment to our clients and to the quality of what we represent.

ASSEMBLY & OPERATING MECHANISM OF WALL BEDS

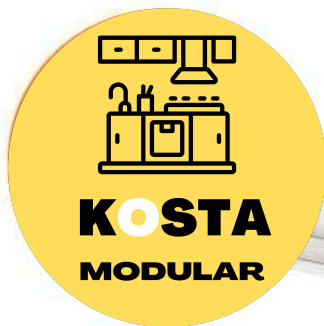


+ everything within arms' reach
practical shelves for books and other essential things

+ soft close
noisless and comfortable

+ optional LED lighting
inductive, touch light switch

+ no need to make the bed
douvet straps



+ metal frame
stable and comfortable as a conventional bed

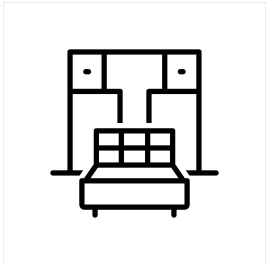
+ new mechanism
advanced, pneumatic supporters

+ metal frame
mattress stabilizer



Rio Sofa cum Bed

Queen Wall Bed with Three- or Four-Seat Sofa



Rio Sofa cum Bed is a vertically opening, freestanding queen-size wall bed available with a three- or a four-seat sofa. Customize the style and size of Rio Sofa cum Bed by selecting arm widths. Crafted with an extruded aluminum base and integrated cable-assist mechanism, optional sliding seats that provide both standard and reclining seat depths are available, as well as armrest covers, coordinating sofas and ottomans.



**The High-Quality
Functional Bed**

Rio

Queen Wall Bed

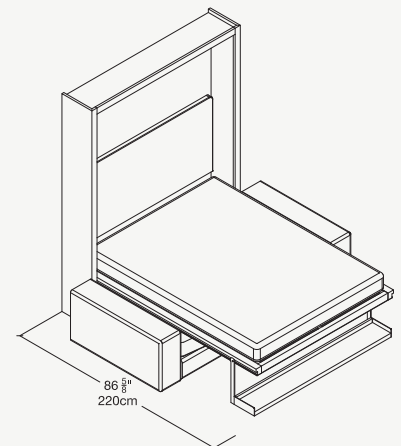
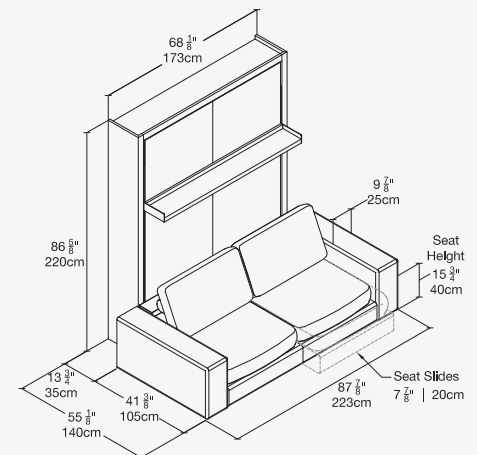
Kosta Modular's RIO's Bed Features

- Freestanding system
- Available in two sofa sizes
- Three arm width options
- Armrest tray available
- Includes 3 shelves
- Adjustable seat depth
- Interior LED lighting available
- Optional padded headboard
- Integrates seamlessly with our shelving and closet systems
- Premium mattress program-see page 91 for mattress information



Dimensions

Indicative for designing



**The High-Quality
Functional Bed**

Presto

Queen Wall Bed

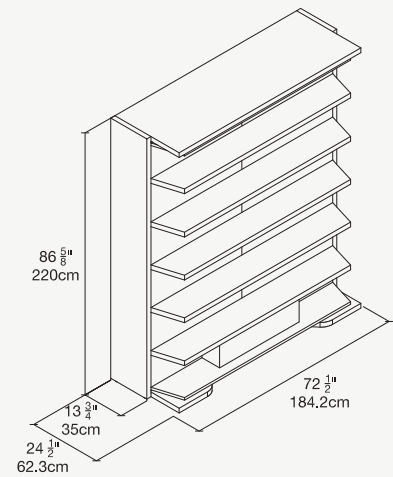
Kosta Modular's PPRESTO Bed Features

- Freestanding system
- Three arm width options
- Armrest tray available
- Includes 3 shelves
- Adjustable seat depth
- Interior LED lighting available
- Optional padded headboard
- Integrates seamlessly with our shelving and closet systems

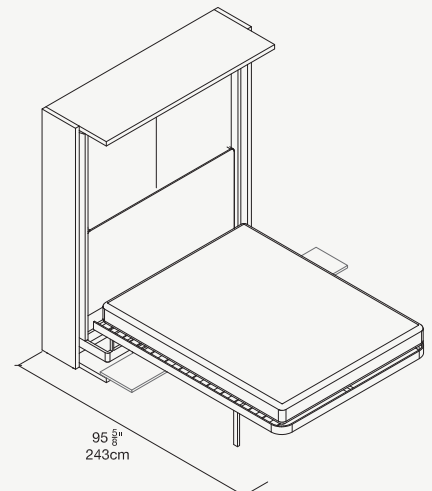


Dimensions

Indicative Sizing for designing



The High-Quality Functional Bed



Waltz

Single or Intermediate Wall Bed with Sofa, Desk, or Table Options

Waltz is a vertically-opening, single- or intermediate-size wall bed with an interior storage compartment for bedding, and generous interior shelving.



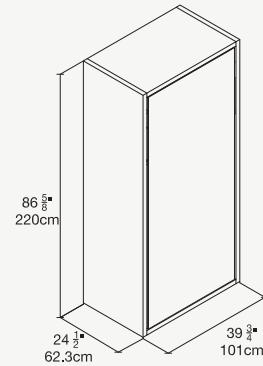
WALTZ Features

- Desk, table, or sofa option available
- Sofa available in two arm widths
- Interior LED lighting available
- Optional padded headboard
- Integrates seamlessly with our shelving and closet systems

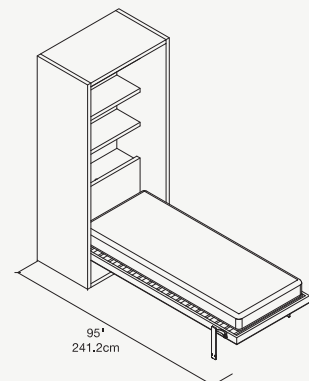
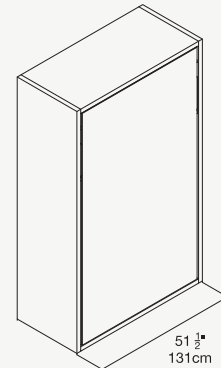
Dimensions

Indicative DDesign

WALTZ 90 SINGLE



WALTZ 120 INTERMEDIATE



ZIVA

Single or Intermediate Wall Bed with Sofa, Desk, or Table Options

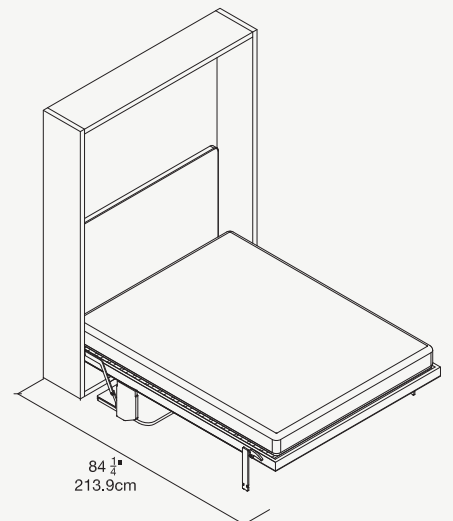
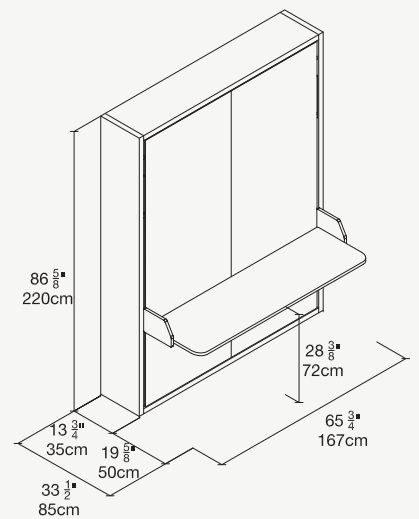
ZIVA Features

- Available with or without interior bookshelf
- Interior LED lighting available
- Optional padded headboard
- Integrates seamlessly with our shelving and closet systems



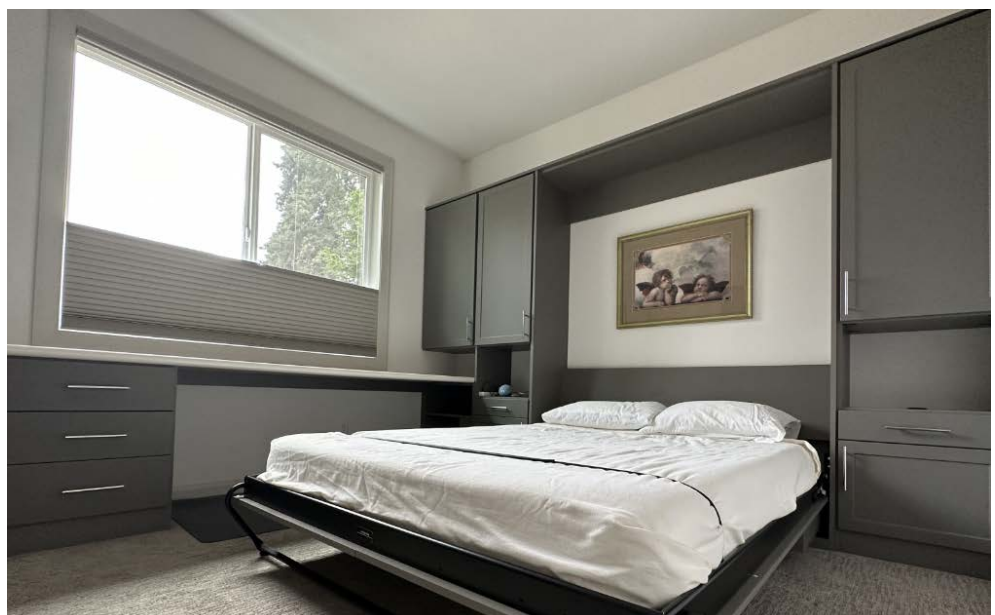
Dimensions

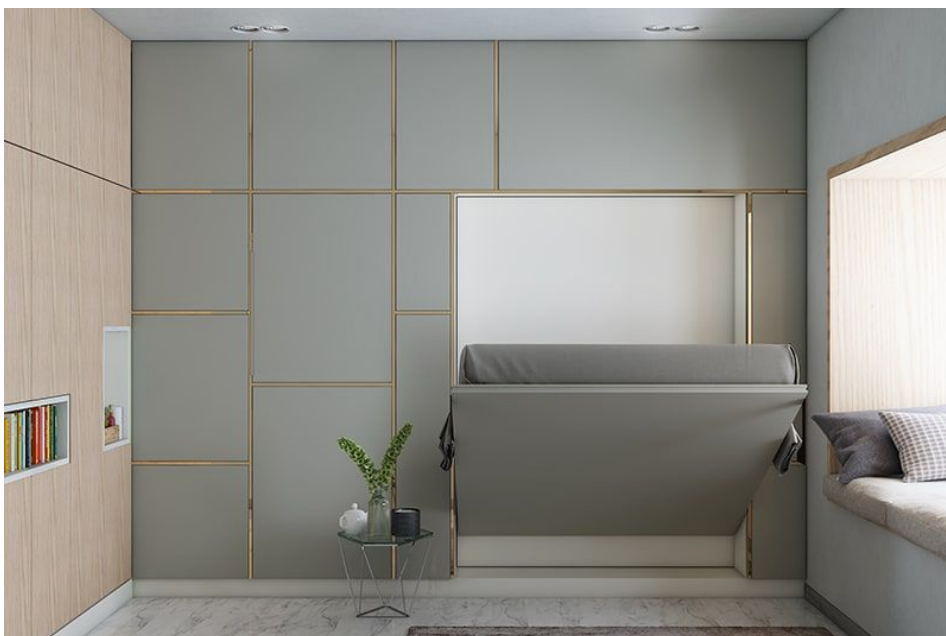
Indicative Dimensions





Owners of small homes, studio tenants, lend us your ears. And a small section of your wall and floor space where some magic can unfold. Meet the Kosta Wall bed, the miracle wand that you have been waiting for. Also called a fold-up bed or a folding bed, it is a bed that through the wonders of mechanical engineering can be folded up and stored into the wall. Apart from its space-saving features, these beds bring no end of cool to the room. It converts any room into a guest room with an instant touch of a button and you can design it to give you extra storage.





If your storage needs warrant it, go the whole hog and install a wardrobe cum bed. This premium bed and a wardrobe for bedroom are integrated in such a manner that you get the best of both worlds.

When the bed is not in use and folded away, what you will see is an innocuous-looking wardrobe. When open, not only will you have the bed that you need, but you will also have some cleverly hidden wardrobe storage.



FURNITURE

GRID STYLE WALL BED

METAL SHOWN: Oxidized Bronze

WOOD SHOWN: Oiled Walnut

OPTIONS SHOWN: Queen Sized Mattress | Oiled Walnut with Oxidized Bronze Inlays and
Panelling | Ingetraged Lighting | Walnut Clad Nightstand Cubbies

SIZE SHOWN: 97"W x 96"H x 20"D closed | 95"D when open
custom sizing available



FURNITURE

SIMPLE STYLE WALL BED

Double Wall bed with Wardrobe on both sides

A space saving wall bed concept inclusive of a 2' wide storage unit on both sides and a complete overhead storage for your luggage needs. The folding queen size bed bringing utility and open space options to the bedroom and study areas. Customisable with the configurations to suit your needs and colour aspirations.

Overall Size of Product: Width - 9'0" x Height - 9'0" x Depth - 1'6"

PRODUCT INFO

All furniture is built in MR grade ply with laminate of choice. Hardware used is EBCO brand. It comes flat packed and is installed on site.



KA

4GO

9

10



Fabrics and Finishes

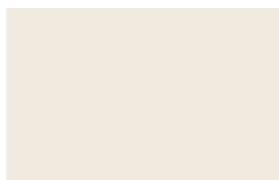
MELAMINE



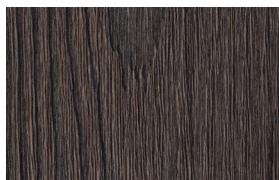
Melamine Bianco



Oak Sabbia Melamine



Perla Melamine



Oak Moro Melamine

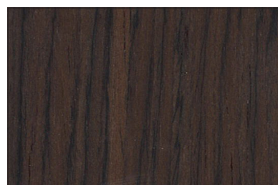


Tortora Melamine

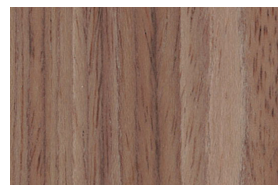


Cemento Melamine

WOOD VENEER

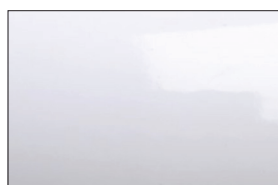


Smoked Oak



Wavy Walnut

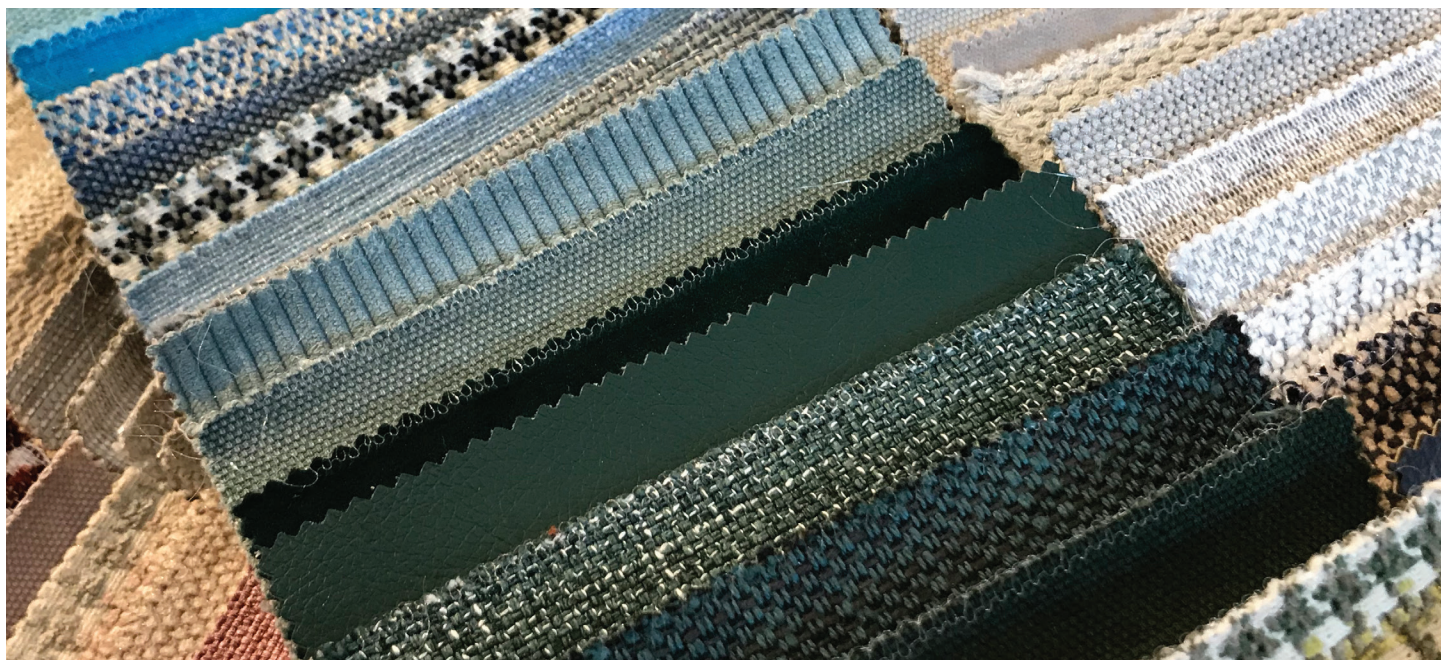
DIALUX



Glossy Dialux

FABRICS

A wide selection of fabrics are available.



FAQs On Wall-Mounted Beds

1. Are wall-mounted beds safe?

Yes. When properly installed, wall-mounted beds are considered safe to use.

2. How long does it take to install a wall-mounted bed?

The installation process for a standard wall-mounted bed can take anywhere from a couple of hours to a full day. It's important not to rush the process in order to ensure the sturdy installation and safety of the user.

3. How do I maintain a wall-mounted bed?

To ensure the seamless functioning of a wall-mounted bed, regularly lubricate its moving parts such as the hinges and pistons. Periodically check the bed for any signs of wear and tear, and inspect its locking mechanism to ensure proper functioning. Clean the bed frame and any visible hardware with a damp cloth on a regular basis to avoid the buildup of dust and grime.

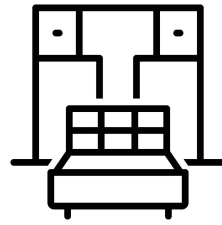
4. How much weight can a wall-mounted bed support?

Most beds are designed to support a weight capacity of up to 400-450 kgs evenly distributed across the bed frame.

5. What sizes are available for a wall-mounted bed?

The most common sizes for a wall-mounted bed are queen and king size. In addition to this, you can also find twin-size and full-size wall mounted beds in the market too.

Designed
Differently



Connect with us @



+91 9810502863



www.kostamodular.com

